

智明電子股份有限公司規格承認書

CHIMING ELECTRONICS CORP SPECIFICATION FOR APPROVAL

地址:新竹市橫山鄉橫山村站前街 58 號 Add: #58 Station Street, Henghan Hsing, Hsinchu Hsien, Taiwan

Tel: 886-3-593-3482 OR 3-593-1851 Fax: 886-3-593-4537 OR 3-593-3238

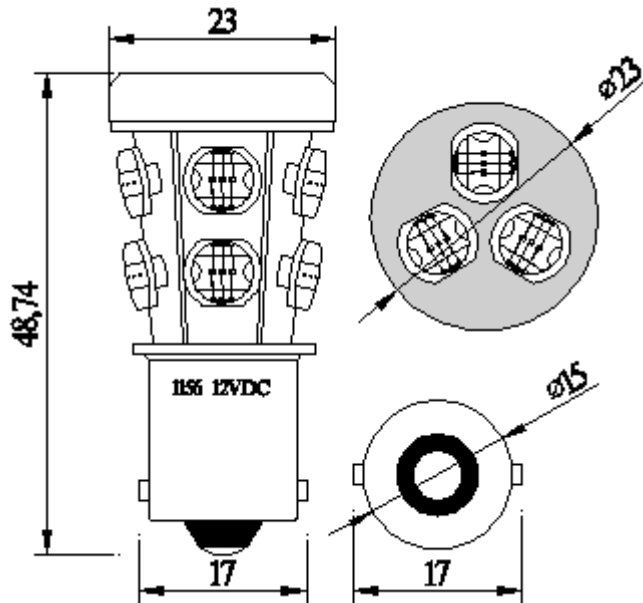
E-mail: att2278@ms71.hinet.net [Http://www.chi-ming.com](http://www.chi-ming.com)

DESCRIPTION:

(A) Electronics and Optical Characteristics: Ta=25°C

PART NO	Emitting Color	Forward Voltage (DC)	Totality Luminous Intensity	Efficacy	Dominant Wavelength	Color Temperature	Single LED Intensity	Viewing Angle
		Unit: V	Unit: LM Error margin: ±5%	Unit: LM/W	Unit: nm	Unit: K	Unit: mcd	Unit: deg
1156-13HP3								
R	Super Red	14.20	79.17	22.30	624~635	1001	4308	175.8
Y	Super Yellow	14.20	62.22	17.12	597~600	1323	6863	180.0
G	Ultra Green	14.20	112.52	29.46	528~520	7425	10210	179.6
B	Ultra Blue	14.20	24.71	7.57	462~455	>=100000	2459	180.0
W	Super White	14.20	150.78	42.47	X:0.292 Y:0.299	7000~9000	13500	180.0
Test Condition		Power: 3.55W			Current: 250 ± 10% mA			

Figure:



(B) Absolute Maximum Ratings AT Ta=25°C

PARAMETER	MAX	UNIT
Continuous Forward Current		mA
Peak Forward Current (1/10 Duty Cycle 0.1ms Pulse Width)		mA
Reverse Voltage		V
Operating Temperature Range	-20°C to +50°C	
Storage Temperature Range	-40°C to +100°C	
Lead Solder Temperature 1.6mm Below Package 260°C For 5 seconds		

APPROVED & CHECKED BY: wuguanquan Tested By: wuguanquan Date: 2008/04/02